

28mm Blending Valve for use with 10,11 and 12 port manifolds

Description

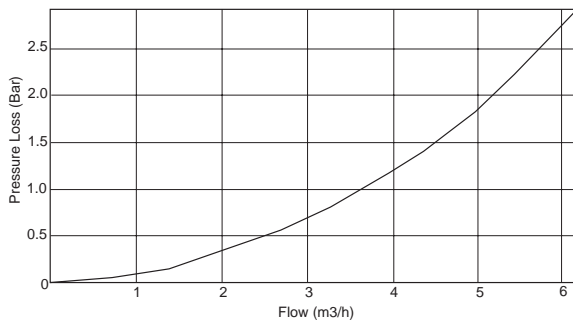
Thermostatic blending valve available with 28mm compression connections. RWC wax capsule technology ensures stable mixed water temperature. Suitable for blending the flow and return to achieve a stable system temperature in underfloor heating systems up to 300 square metres.

Product Range

HEAT 115 002

28mm Compression

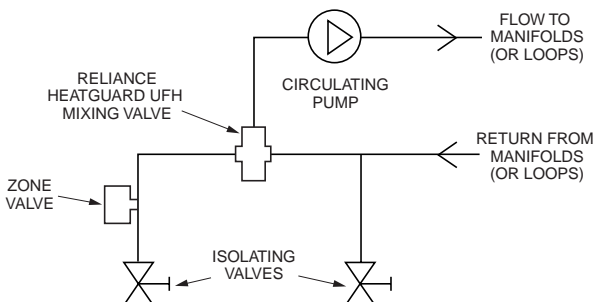
Performance



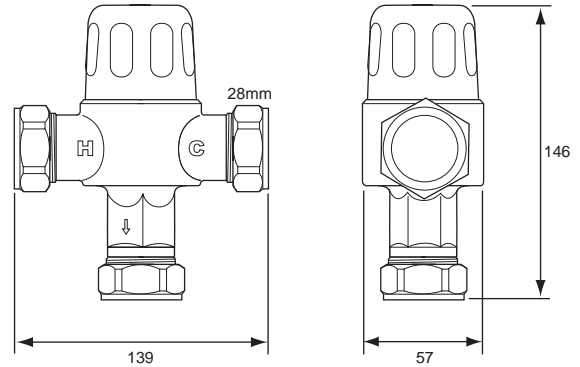
Materials

Body:	Cast gunmetal
Internal brass components:	DZR brass
Seals:	Nitrile elastomer
Spring:	Stainless steel
Piston:	Polysulfone polymer
Fittings:	DZR brass

Typical Installation



Dimensions



All dimensions in mm unless stated

Specifications

Temperature setting range:	Ambient to 60°C
Flow supply temperature:	85°C max.
Return supply temperature:	5°C - 75°C
Temperature stability:	± 3°C
Working pressure, static:	16 Bar max
Working pressure, dynamic:	6 Bar max. 0.2 Bar min.

How to Specify

Blending valve with adjustable temperature indicated on the cap and 28mm compression connections for underfloor heating systems up to 300 sq meters. (Select appropriate range code).

Guarantee

All RWC products undergo strict performance tests prior to despatch, and are guaranteed against faulty materials and workmanship for one year from date of purchase. This is in addition to any statutory rights.